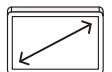
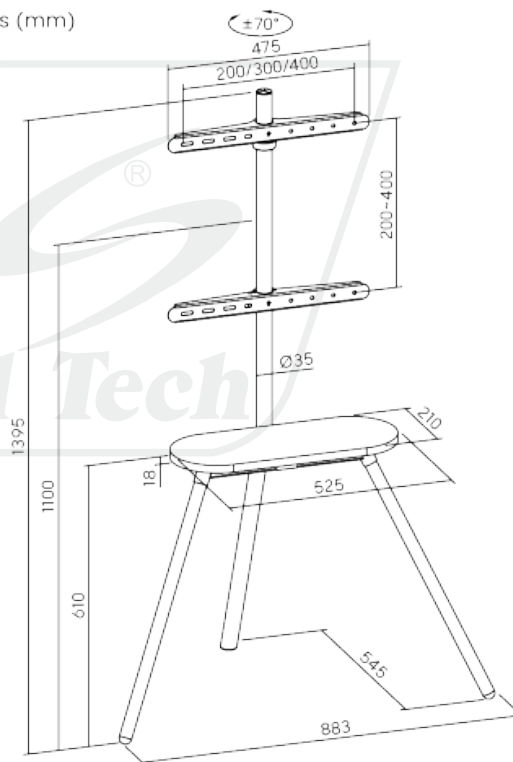


SH28 44F

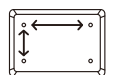
Easel Studio TV Floor Stand With Fabric Shelf



Dimensions (mm)



Screen Size
43" - 65"



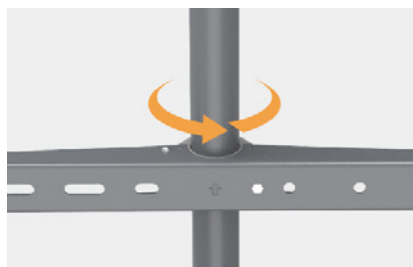
VESA Compatible
**200x200,300x200,
400x200,300x300,
400x300,400x400**



Weight Capacity
40kg



Easy Lock Attachment
For Reduced Assembly Time



+70° ~ -70° Swivel
Provides Flexible Viewing Angle
Adjustment For Different Needs



Fabric Surface Shelf
Provides Extra Space For Remote Controls,
Portable Speakers and More